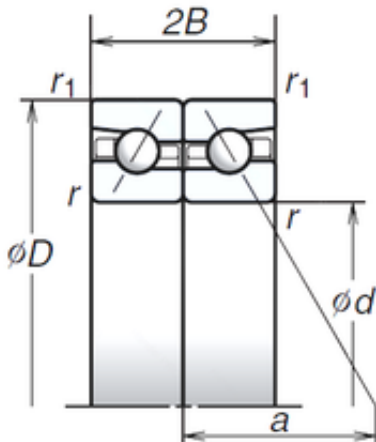




## Off-the-shelf SKF shaft Co., Ltd

### 120 mm x 180 mm x 27 mm NSK 120BTR10H Work Head Spindle bearing

Bearing No. 120BTR10H



120BTR10H Bearing 2D drawings and 3D CAD models

Size	120x180x27 mm
Bore Diameter	120 mm
Outer Diameter	180 mm
Width	27 mm
d	120 mm
D	180 mm
B	27 mm
C	27 mm
Angle ( ° )	40 °
a	76,4 mm
r min.	2 mm
r1 min.	1 mm
2B	54 mm
Weight	2,114 Kg
Basic dynamic load rating (C)	68 kN
Basic static load rating (C0)	160 kN
(Grease) Lubrication Speed	5 000 r/min
(Oil) Lubrication Speed	6 400 r/min