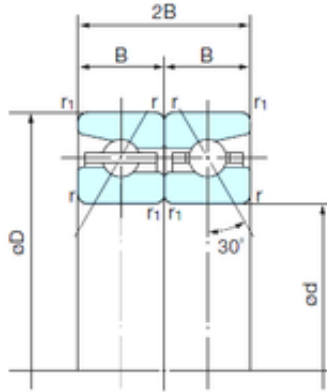




Off-the-shelf SKF shaft Co., Ltd

55 mm x 90 mm x 16,5 mm NACHI 55TAH10DB Work Head Spindle bearing



Bearing No. 55TAH10DB

Size	55x90x16.5 mm
Bore Diameter	55 mm
Outer Diameter	90 mm
Width	16,5 mm
d	55 mm
D	90 mm
B	16,5 mm
Angle ()	30 °
r min.	1.1 mm
r1 min.	0.6 mm
2B	33 mm
Basic dynamic load rating (C)	23,8 kN
Basic static load rating (C0)	51 kN
(Grease) Lubrication Speed	8300 r/min

55TAH10DB Bearing 2D drawings and 3D CAD models