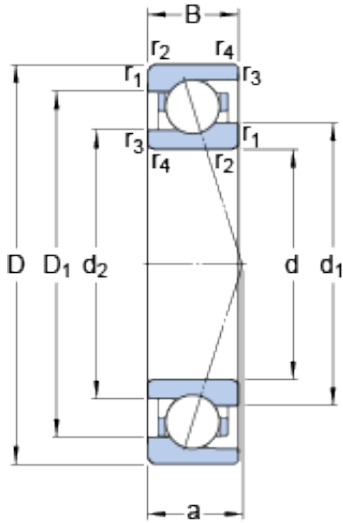




Off-the-shelf SKF shaft Co., Ltd



60 mm x 85 mm x 13 mm SKF 71912 CE/HCP4A Work Head Spindle bearing

Bearing No. 71912 CE/HCP4A

71912 CE/HCP4A Bearing 2D drawings and 3D CAD models

Size	85x60x13 mm
Bore Diameter	85 mm
Outer Diameter	60 mm
Width	13 mm
d	60 mm
D	85 mm
B	13 mm
d ₁	67.75 mm
d ₂	65.7 mm
D ₁	77.3 mm
r _{1,2} - min.	1 mm
r _{3,4} - min.	0.3 mm
a	16.8 mm
d _a - min.	64.6 mm
d _b - min.	62 mm
D _a - max.	80.4 mm
D _b - max.	83 mm
r _a - max.	1 mm
r _b - max.	0.3 mm
d _n	69.6 mm
Basic dynamic load rating - C	16.3 kN
Basic static load rating - C ₀	11.8 kN
Fatigue load limit - P _u	0.5 kN
Limiting speed for grease	26000 r/min



Off-the-shelf SKF shaft Co., Ltd

Lubrication	
Limiting speed for oil lubrication	40000 mm/min
Ball - D_w	7.938 mm
Ball - z	23
G_{ref}	2.5 cm3
Calculation factor - f_0	8.5
Preload class A - G_A	87 N
Preload class B - G_B	262 N
Preload class C - G_C	523 N
Calculation factor - f	1.13
Calculation factor - f	1
Calculation factor - f_{2A}	1
Calculation factor - f_{2B}	1.05
Calculation factor - f_{2C}	1.09
Calculation factor - f_{HC}	1.01
Preload class A	52 N/micron
Preload class B	81 N/micron
Preload class C	111 N/micron
Category	Precision Ball Bearings
Inventory	0.0
Manufacturer Name	SKF
Minimum Buy Quantity	N/A
Weight / Kilogram	0
Product Group	B04270
Enclosure	Open
Precision Class	ABEC 7 ISO P4
Material - Ball	Ceramic
Number of Bearings	1 (Single)
Contact Angle	15 Degree
Preload	None



Off-the-shelf SKF shaft Co., Ltd

Raceway Style	1 Rib Inner Ring and Outer Ring
Cage Material	Phenolic
Rolling Element	Ball Bearing
Flush Ground	No
Inch - Metric	Metric
Other Features	Single Row Angular Contact High Speed E Design
Long Description	60MM Bore; 85MM Outside Diameter; 13MM Width; Open Enclosure; ABEC 7 ISO P4 Precision; Ceramic Ball Material; 1 (Single) Bearing; 15 Degree Contact Angle; Phenolic Cage Material; 1 Rib Inner Ring an
Category	Precision Ball Bearings
UNSPSC	31171531
Harmonized Tariff Code	8482.10.50.28
Noun	Bearing
Keyword String	Ball Angular Contact
Manufacturer URL	http://www.skf.com
Outside Diameter	3.346 Inch 85 Millimeter
Width	0.512 Inch 13 Millimeter
Bore	2.362 Inch 60 Millimeter
d_1	67.75 mm
d_2	65.7 mm
D_1	77.3 mm
$r_{1,2}$ min.	1 mm
$r_{3,4}$ min.	0.3 mm
d_a min.	64.6 mm
d_b min.	62 mm
D_a max.	80.4 mm
D_b max.	83 mm



Off-the-shelf SKF shaft Co., Ltd

r_a max.	1 mm
r_b max.	0.3 mm
d_n	69.6 mm
Basic dynamic load rating C	16.3 kN
Basic static load rating C_0	11.8 kN
Fatigue load limit P_u	0.5 kN
Attainable speed for grease lubrication	26000 r/min
Attainable speed for oil-air lubrication	40000 r/min
Ball diameter D_w	7.938 mm
Number of balls z	23
Reference grease quantity G_{ref}	2.5 cm ³
Preload class A G_A	87 N
Static axial stiffness, preload class A	52 N/ μ m
Preload class B G_B	262 N
Static axial stiffness, preload class B	81 N/ μ m
Preload class C G_C	523 N
Static axial stiffness, preload class C	111 N/ μ m
Calculation factor f	1.13
Calculation factor f_1	1
Calculation factor f_{2A}	1
Calculation factor f_{2B}	1.05
Calculation factor f_{2C}	1.09
Calculation factor f_{HC}	1.01
Calculation factor f_0	8.5
Mass bearing	0.16 kg