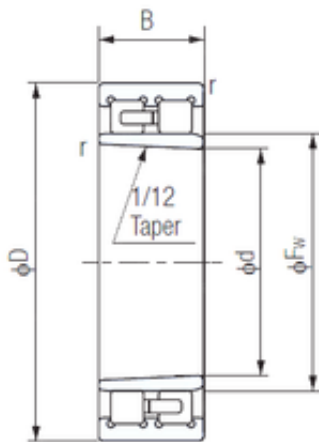




# Off-the-shelf SKF shaft Co., Ltd



140 mm x 190 mm x 50 mm NACHI  
 NNU4928K TAC series for ball screw support

Bearing No. NNU4928K

Size	140x190x50 mm
Bore Diameter	140 mm
Outer Diameter	190 mm
Width	50 mm
d	140 mm
Fw	156 mm
D	190 mm
B	50 mm
C	50 mm
r min.	1,5 mm
Weight	3,8 Kg
Basic dynamic load rating (C)	283 kN
Basic static load rating (C0)	585 kN
(Grease) Lubrication Speed	4600 r/min

NNU4928K Bearing 2D drawings and 3D CAD models