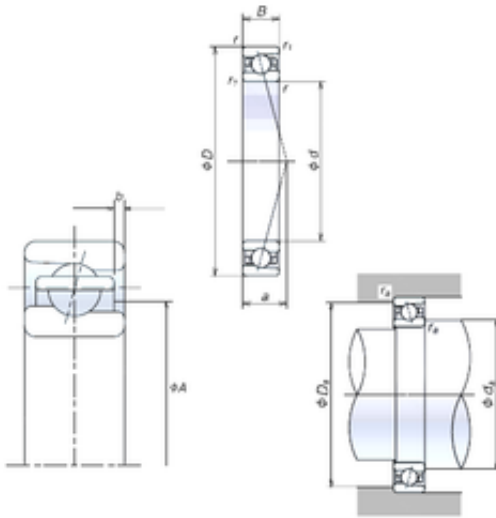




Off-the-shelf SKF shaft Co., Ltd

100 mm x 140 mm x 20 mm NSK 100BER19X Super Precision Sealed Angular Contact Ball Bearings



100BER19X Bearing 2D drawings and 3D CAD models

Bearing No. 100BER19X

Size	100x140x20 mm
Bore Diameter	100 mm
Outer Diameter	140 mm
Width	20 mm
d	100 mm
D	140 mm
B	20 mm
C	20 mm
Angle (°)	25 °
a	38 mm
b	0,7 mm
r min.	1,1 mm
r1 min.	0,6 mm
A	113,5 mm
da min.	107 mm
Da max.	133 mm
ra max.	1 mm
Weight	0,673 Kg
Basic dynamic load rating (C)	36 kN
Basic static load rating (C0)	33,5 kN
(Grease) Lubrication Speed	15900 r/min