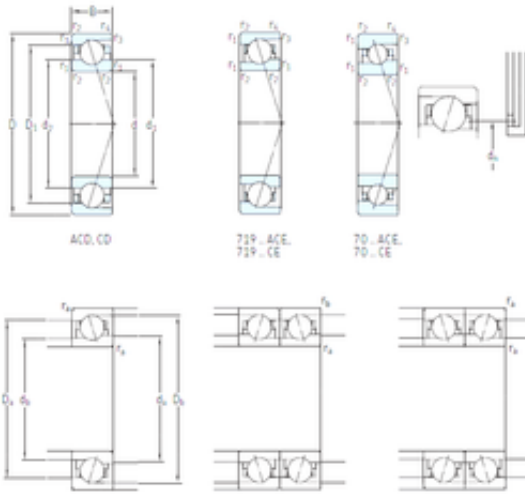




Off-the-shelf SKF shaft Co., Ltd



40 mm x 62 mm x 12 mm SKF 71908 CE/P4A Super high-speed angular contact ball bearings

Bearing No. 71908 CE/P4A

71908 CE/P4A Bearing 2D drawings and 3D CAD models

Size	40x62x12 mm
Bore Diameter	40 mm
Outer Diameter	62 mm
Width	12 mm
d	40 mm
D	62 mm
B	12 mm
C	12 mm
d1	46,5 mm
d2	44,8 mm
r1 min.	0,6 mm
r2 min.	0,6 mm
r3 min.	0,3 mm
r4 min.	0,3 mm
D1	54,2 mm
D2	56,5 mm
da min.	43,2 mm
Da max.	58,8 mm
db min	42 mm
ra max.	0,6 mm
rb max.	0,3 mm
dh	48 mm
Db max	60 mm
Weight	0,1 Kg
Basic dynamic load rating (C)	9,75 kN



Off-the-shelf SKF shaft Co., Ltd

Basic static load rating (C0)	6,1 kN
(Grease) Lubrication Speed	32 000 r/min
(Oil) Lubrication Speed	49 000 r/min
Fatigue load limit (Pu)	0,26
Category	Precision Ball Bearings
Inventory	0.0
Manufacturer Name	SKF
Minimum Buy Quantity	N/A
Weight / Kilogram	0
Product Group	B04270
Enclosure	Open
Precision Class	ABEC 7 ISO P4
Material - Ball	Steel
Number of Bearings	1 (Single)
Contact Angle	15 Degree
Preload	None
Raceway Style	1 Rib Inner Ring and Outer Ring
Cage Material	Phenolic
Rolling Element	Ball Bearing
Flush Ground	No
Inch - Metric	Metric
Other Features	Single Row Angular Contact High Speed E Design
Long Description	40MM Bore; 62MM Outside Diameter; 12MM Width; Open Enclosure; ABEC 7 ISO P4 Precision; Steel Ball Material; 1 (Single) Bearing; 15 Degree Contact Angle; Phenolic Cage Material; 1 Rib Inner Ring and
Category	Precision Ball Bearings
UNSPSC	31171531



Off-the-shelf SKF shaft Co., Ltd

Harmonized Tariff Code	8482.10.50.28
Noun	Bearing
Keyword String	Ball Angular Contact
Manufacturer URL	http://www.skf.com
Outside Diameter	2.441 Inch 62 Millimeter
Width	0.472 Inch 12 Millimeter
Bore	1.575 Inch 40 Millimeter
d_1	46.5 mm
d_2	44.8 mm
D_1	54.15 mm
$r_{1,2}$ min.	0.6 mm
$r_{3,4}$ min.	0.3 mm
a	13.2 mm
d_a min.	43.2 mm
d_b min.	42 mm
D_a max.	58.8 mm
D_b max.	60 mm
r_a max.	0.6 mm
r_b max.	0.3 mm
d_n	48 mm
Basic dynamic load rating C	9.75 kN
Basic static load rating C_0	6.1 kN
Fatigue load limit P_u	0.26 kN
Attainable speed for grease lubrication	32000 r/min
Attainable speed for oil-air lubrication	49000 r/min
Ball diameter D_w	6.35 mm
Number of balls z	19
Reference grease quantity G_{ref}	1.4 cm ³
Preload class A G_A	52 N
Static axial stiffness, preload	32 N/ μ m



Off-the-shelf SKF shaft Co., Ltd

class A	
Preload class B G_B	157 N
Static axial stiffness, preload class B	49 N/ μ m
Preload class C G_C	315 N
Static axial stiffness, preload class C	67 N/ μ m
Calculation factor f	1.05
Calculation factor f_1	1
Calculation factor f_{2A}	1
Calculation factor f_{2B}	1.04
Calculation factor f_{2C}	1.08
Calculation factor f_{HC}	1
Calculation factor f_0	8.3
Mass bearing	0.1 kg