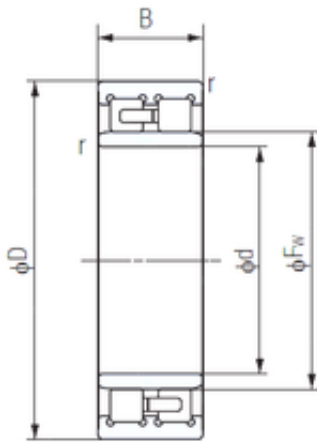




Off-the-shelf SKF shaft Co., Ltd



130 mm x 180 mm x 50 mm NACHI NNU4926
Standard angular contact ball bearing

Bearing No. NNU4926

Size	130x180x50 mm
Bore Diameter	130 mm
Outer Diameter	180 mm
Width	50 mm
d	130 mm
Fw	146 mm
D	180 mm
B	50 mm
C	50 mm
r min.	1,5 mm
Weight	3,55 Kg
Basic dynamic load rating (C)	275 kN
Basic static load rating (C0)	565 kN
(Grease) Lubrication Speed	4900 r/min

NNU4926 Bearing 2D drawings and 3D CAD models